

Expertise. Experience. Innovation.



Site Welfare Trailer  
WEIRO® **RASANT** type BME-C 21 S



RASANT BME-C 21 S

Site Welfare Trailer, single axle, with **ball hitch**, **body length of 3.50 m**, with **galvanized chassis**, overrun brake, 80/100 km/h speed, permissible total weight 1,350 kg or 1,500 kg

## WEIRO® **RASANT** type BME-C 21 S

### Chassis:

- chassis made from **galvanized lightweight profiles**
- ball hitch
- tyres **195/55 – R 10**
- axle with full track rubber suspension, track width 165 cm
- 4 adjustable **galvanized prop stands**
- lighting equipment 12 V

### Floor:

- one piece sandwich element
- subfloor made from **galvanized steel**
- **galvanized floor frame**
- thermal insulation by **polyurethane foam**
- painted particle board with optional skid resistant PVC floor

### Body:

- nailed wooden framework
- plastic coated, profiled, galvanized steel sheet on outer walls. Standard RAL 7032, other RAL colours by request
- inside lining plastic coated wood material board, optional 10 mm particle board

- rock wool insulation

- edges made from galvanized steel, red/white coated

### Door/Window:

- steel door 750 x 1,875 mm, profile cylinder lock, optional breaking and entering security
- solid **galvanized stair**, 1-step
- sliding window 750 x 850 mm with safety glass; optional breaking and entering security

### Roof:

- strong, arched design
- **galvanized steel**, folded lengthways for strength, 2 galvanized steel gutters
- rock wool insulation
- inside lining plastic coated wood material board

empty weight (without furniture)	850 kg
gross vehicle weight	1,350 / 1,500 kg

### Dimensions (mm)

Total Length	5,130 mm	Body Length	3,520 mm
Total Width	2,340 mm	Body Width	2,220 mm
Outer Height	3,020 mm	Inside Height	2,300 mm



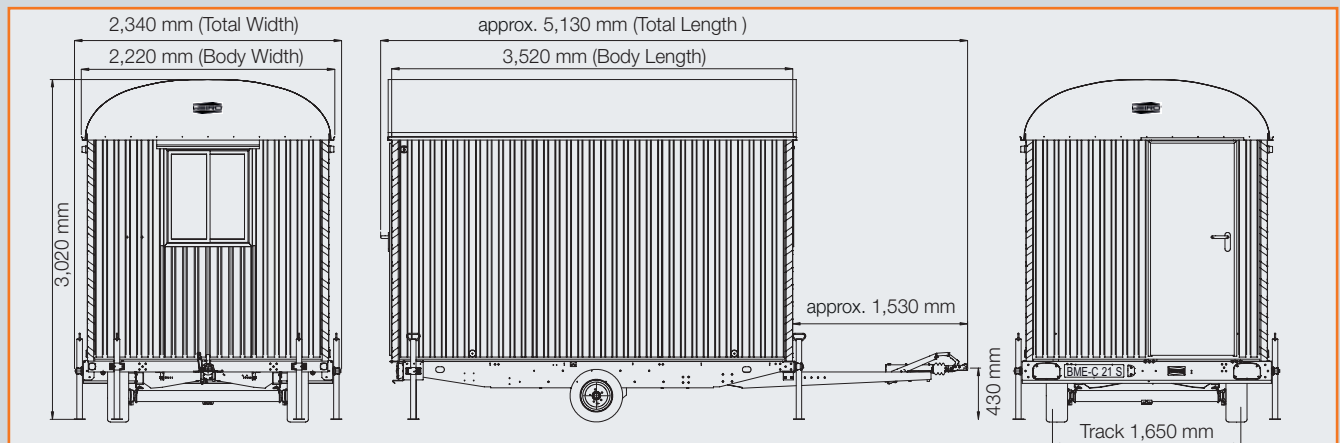
chassis made from **galvanized lightweight profiles, galvanized prop stands**



solid **galvanized stair**, 1-step



Floor made from one piece sandwich element with subfloor made from **galvanized steel, galvanized floor frame**



Weisig Maschinenbau GmbH

Am Froberg 3 31061 Alfeld Germany

Tel. +49 (0)5181-8448-0

Fax +49 (0)5181-8448-44

info@weiro.de